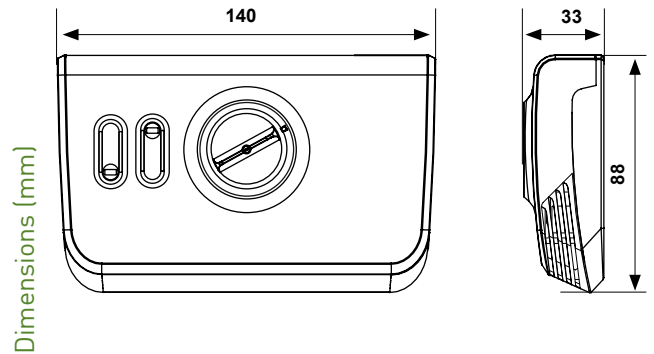


C61

Room thermostat for fan-coils, 1 temperature level, supplied at 230V-50Hz

3-speed electronic room thermostat, suitable for heating and air conditioning installations, for homes and offices.



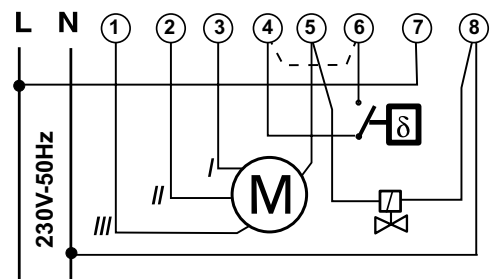
	Temperature regulation range °C	Differential* K	Body admissible temperature °C	Power supply	Contact rating	Protection degree
C61	6 ÷ 30	0,5	- 10 ÷ 50	230V-50Hz	6(1,5)A 250Vca	IP20

* Differential values are referred to a thermal gradient of 4K/h.

ELECTRICAL FEATURES

Power supply 230V-50Hz.
Consumption 1VA.
Micro disconnection (1B).
Pulse voltage 4000V.

EXAMPLE OF ELECTRICAL WIRING

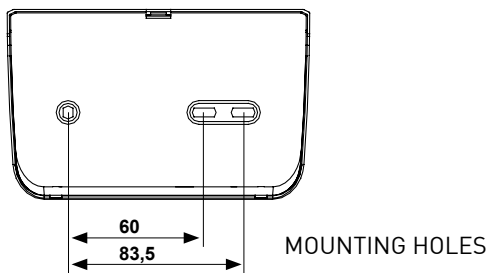


HOMOLOGATION AND STANDARDS

Complies with EN 60730-1 standards and corresponding parts.

INSTALLATION

Wall mounting or in 3-module embedded box or in round box.



OPERATION

Sensitive element with NTC sensor.

The low differential makes the thermostat very sensible, which regulates with high precision the room temperature.

C61 has a switch that allows choosing the operation mode.

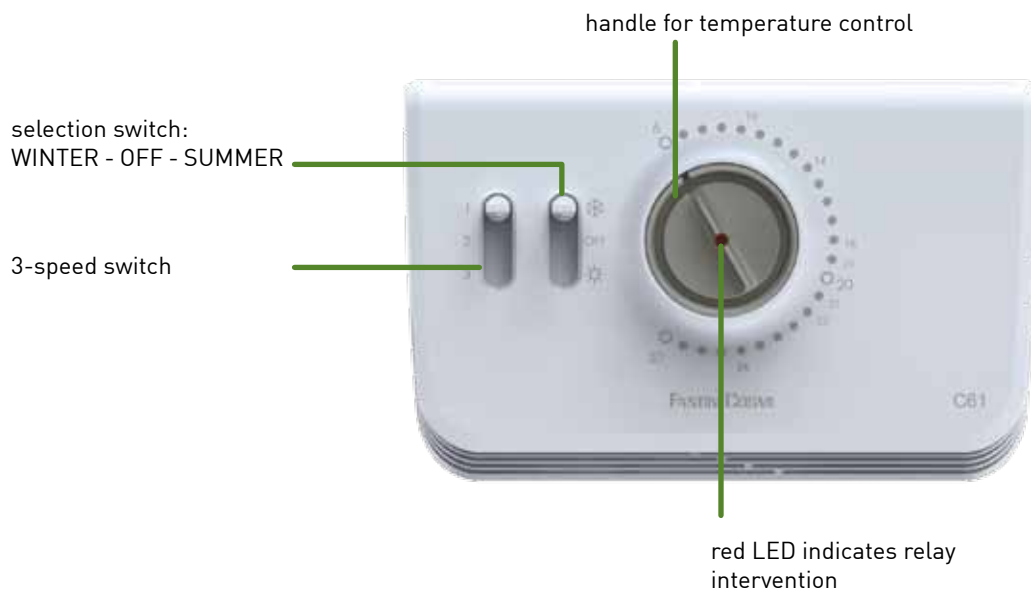
☀ SUMMER (for cooling installations);

❄ WINTER (for heating installations);

OFF (turns off completely the system).

The red LED indicates relay operation, in case of heating (switch stays in position "winter") or cooling (switch stays in position "summer"). On the thermostat there is also a manual switch for selecting the 3 speeds of the fan-coil:

- minimum 1
- medium 2
- maximum 3



FEATURES

WINTER - OFF - SUMMER switch to control heating or air conditioning installations.

Manual switch for selecting one of the three fan-coil's speeds.

It is possible to connect one thermostat to the terminals 4 and 6 (look the scheme on page 24), if this option is not used, the terminals are closing.

Pollution degree 2.

Red LED indicates system's turning-on.

☐ double insulation.