

**logistics details**

Product title:	<b>Spade terminals insulated KWI...PCV type</b>
Type:	<b>KWI 1/5 PCV (100 SZT./PCS)</b>

**mechanical details**

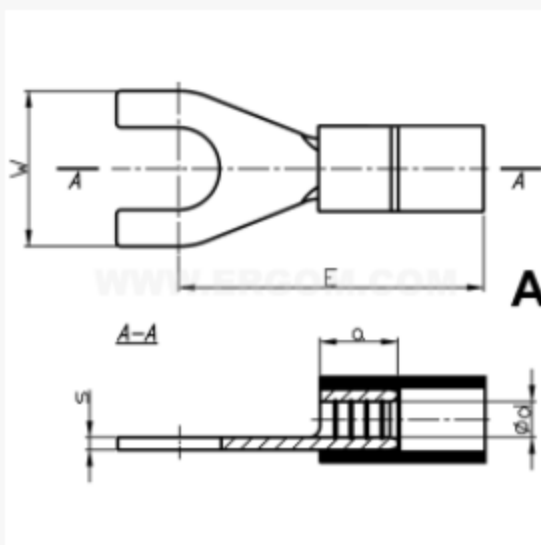
Insulated	<b>polyvinyl chloride (PCV)</b>
Insulation color	<b>red</b>
Material	<b>Cu</b>
Surface	<b>tin-plated</b>
Working temperature [°C]	<b>-5 ÷ +60</b>
Size of bolt dia	<b>M 5</b>
Release	<b>A</b>

**Certificates**

Design	<b>DIN 46237 – refers only the tubular part of terminal</b>
--------	---

**Sections**

Cross section [mm <sup>2</sup> ]	<b>0,5÷1</b>
----------------------------------	--------------

**Sizes**

d	<b>1,6</b>
s	<b>0,8</b>
a	<b>5</b>
E	<b>18,0</b>
W	<b>10,0</b>