

**logistics details**

Product title: **Butt connectors join in „butt” KL type**

Type: **KL 35 (100 SZT./PCS)**

Weight netto: **~ 2,067 kg**

**Certificates**

Design **standard**

**crimping**

Die code No. **12**

No. of crimping wide **1 - 1**

No. of crimping narrow **2 - 2**

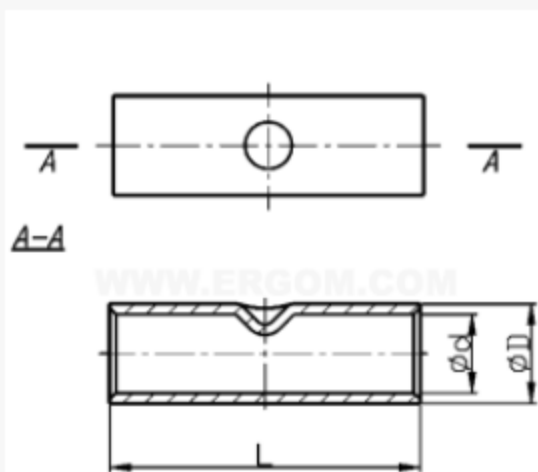
**mechanical details**

Material **Cu**

Surface **tin-plated**

**Sections**

Cross section rm/sm [mm<sup>2</sup>] **35**

**Sizes**

d	8,5
D	12,0
L	42