

logistics details

Product title: **Butt connectors join in „butt“ KL type**

Type: **KL 10 (100 SZT./PCS)**

Weight netto: **~ 0,606 kg**

Certificates

Design **standard**

crimping

Die code No. **7**

No. of crimping wide **1 - 1**

No. of crimping narrow **1 - 1**

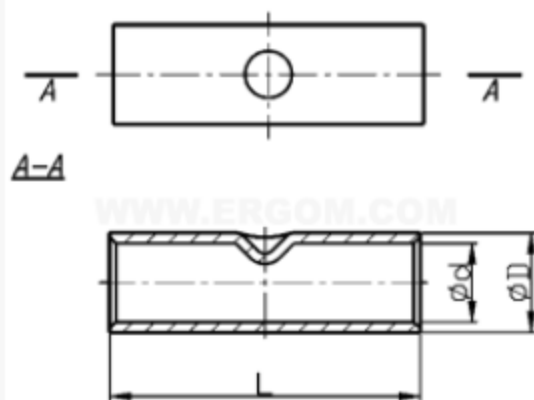
mechanical details

Material **Cu**

Surface **tin-plated**

Sections

Cross section rm/sm [mm²] **10**

**Sizes**

d **4,5**

D **7,0**

L **30**