

logistics details

Product title: **Butt splice KL type to join in contact**

Type: **KL 2,5-15 (100 SZT./PCS)**

Weight netto: **~ 0,097 kg**

Certificates

Design **standard**

crimping

No. of crimping narrow **1-1**

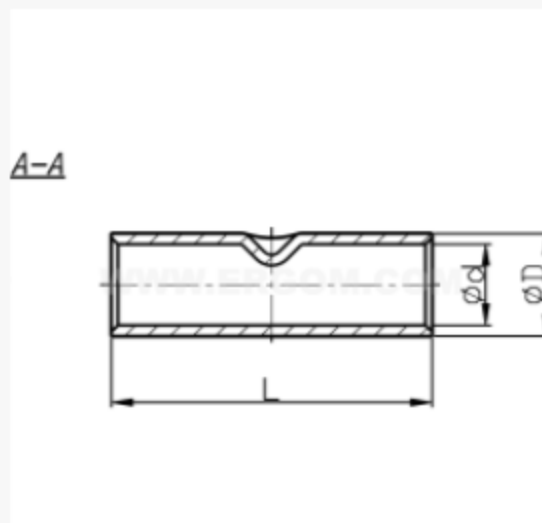
mechanical details

Material **Cu**

Surface **tin-plated**

Sections

Cross section [mm²] **2,5**

**Sizes**

L **15**

d **2,3**

D **4,2**