



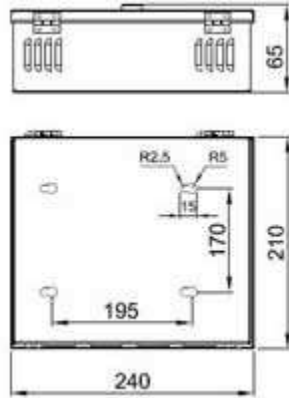
■ **Features**

- ✚ Nine 12VDC individually fused outputs
- ✚ Circuit Short protection
- ✚ Over-load protection
- ✚ AC power LED indicator
- ✚ Individual LED's for each output
- ✚ Power ON/OFF switch
- ✚ Unit maintains camera synchronization
- ✚ Easy installation saves time and eliminates costly labor
- ✚ 100% full load burn-in test
- ✚ Spare fuses included
- ✚ 2 years warranty

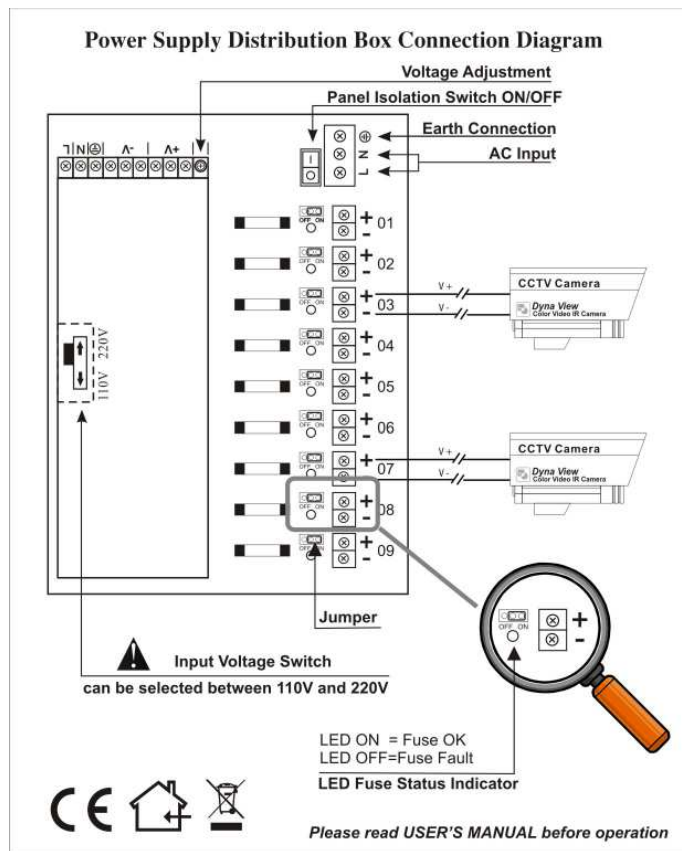
■ **Specification**

Input Voltage	AC90-264V
Input Voltage Frequency	50/60Hz
<b>Output Specification</b>	
Output Voltage	12 VDC+10%
Total Output Current	5A (1A/output,9 channels for 9 sets security cameras)
Total Outputs	60W
Fuse Type	PTC Fuse
Fuse Rating	1.1A/60V
<b>Protection</b>	
General Protection	each output has individual fuse and LED indicator, when problem occurs, only affect the individual output, other outputs still working
Circuit Short Protection	when short condition occurs, individual fuse will open the circuit, when condition removed, PTC fuse will automatically back to close.
Overload protection	105%-150% hiccup mode, auto-recovery
Over-voltage protection	115%~135%
<b>General Specifications</b>	
Working temperature and humidity	-10℃~+60℃ (Refer to output derating curve), 20%~90%RH
Store temperature and humidity	-20℃~+85℃,10%~95%RH
<b>Application</b>	
CCTV	Camera, PTZ, IR Illuminators, Video Process Equipment, etc.

■ **Shape and installation dimension**



■ **Connection diagram**



■ **User's Manual**



**Multiple View, More attention!**

**Mulview Technology Limited**

<http://www.mtlcctv.com>

TEL:0086-755-88849659 FAX:0086-755-83722362 E-mail:mulviewcctv@gmail.com,sales@mtlcctv.com