

User Guide

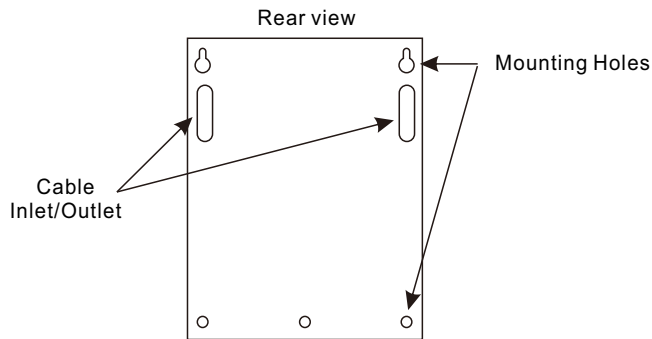
Model:ZTU1203B-D

12V DC 3AMP SWITCH MODE UNINTERRUPTIBLE POWER SUPPLY

- Read carefully this user guide before activating and using.
- Use this equipment only for an indoor adapted application.
- Mounting, maintenance and repair must be carried on by a skilled and authorized staff.
- The activation is easy, but a correct handling and an appropriate maintenance are mandatory to keep the power supply working perfectly.

Mounting

The UPS must be mounted firmly and securely. Dimension (L*W*H) : 167*222*102mm



LED description



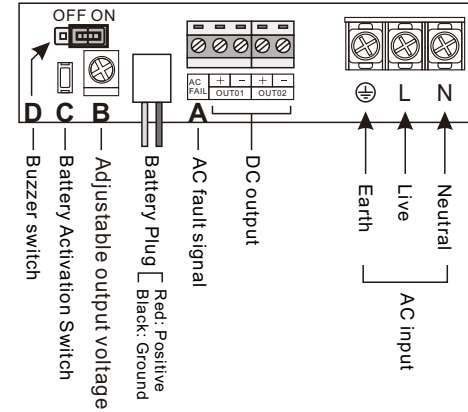
Situation	Red	Amber	Green
Battery in charging	off	on	on
Battery in full charged	off	flash	on
No AC, V-battery > 10±0.3V	on	on	on
No AC, V-battery < 10±0.3V	off	off	off

Buzzer sounds

POWER UP	3 seconds beep
POWER FAILURE	Double beeps ever 30 seconds
BATTERY CUTOFF	2 Minutes WARING Beep before the unit cuts off the battery voltage

NOTE: The Audible tones can be disabled or muted by bridging the MUTE jumper found on the bottom left hand side of the PCB.

Terminal description



A: AC FAULT SIGNAL

Outputs + (Positive) for a AC fail condition. When AC is restored goes 0V (Negative).

B: ADJUSTABLE OUTPUT VOLTAGE

Based on the premise that the load can work normally, output voltage regulation is suggested between 13.8V to 14.0V. Battery can be fully charge and prolong the service life under this situation.

C: BATTERY ACTIVATION SWITCH

Before connecting to AC power for the first time, this switch can be used for activating battery; After connecting to AC power, battery will be activated automatically in each AC power failure, without pushing this switch.

D: BUZZER SWITCH

The buzzer can be muted by bridging the left two pins (OFF).

Main specification

AC supply: 100-240V AC 50/60Hz

Max. Output current: 3.0Amp

Output voltage --

Max. Charge current: 1.0Amp

on mains power: 12.0-14.0V DC ADJ

Recommended battery: 12V , 8Ah

on battery standby: 10.0-12.5V DC

Operation temperature: -20~+45 Degree Celsius

Battery shutdown voltage: 10V DC

Humidity: Up to 90% non-Condensing

Caution

- Make sure the power supply input voltage and the local grid voltage matching before using.
- The power supply is to be installed in a controlled environment, make sure the power supply is well ventilated.
- It is mandatory to ground the power supply.
- Improper storage and installation environment may deteriorate insulation, shorten components life and cause malfunctions.



All content, specifications and availability subject to change without prior notice.

Main specification

AC supply: 100-240V AC 50/60Hz

Output voltage --

on mains power: 12.0-14.0V DC ADJ

on battery standby: 10.0-12.5V DC

Battery shutdown voltage: 10V DC

Max. Output current: 3.0Amp

Max. Charge current: 1.0Amp

Recommended battery: 12V , 8Ah

NOTE:

AC FAULT SIGNAL

Outputs + (Positive) for a AC fail condition. When AC is restored goes 0V (Negative).

ADJUSTABLE OUTPUT VOLTAGE

Based on the premise that the load can work normally, output voltage regulation is suggested between 13.8V to 14.0V. Battery can be fully charge and prolong the service life under this situation.

BATTERY ACTIVATION SWITCH

Before connecting to AC power for the first time, this switch can be used for activating battery; After connecting to AC power, battery will be activated automatically in each AC power failure, without pushing this switch.

BUZZER SWITCH

The buzzer can be muted by bridging the left two pins (OFF).

