

User Guide

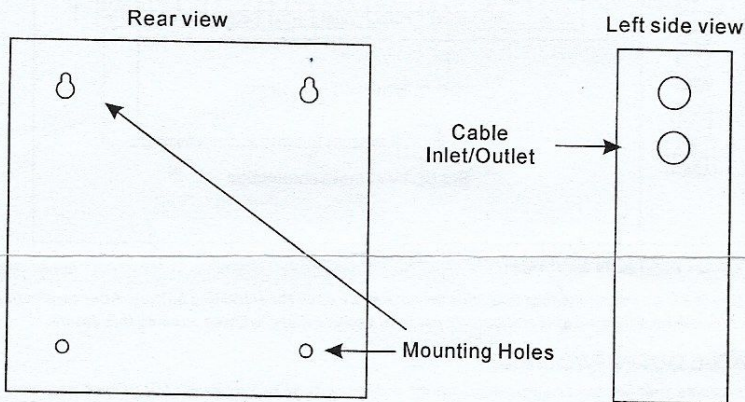
Model : ZTH1210B-09F

12V DC 8.5AMP 9WAY UPS FOR CCTV CAMERAS




- Read carefully this user guide before activating and using.
- Use this equipment only for an indoor adapted application.
- Mounting, maintenance and repair must be carried on by a skilled and authorized staff.
- The activation is easy, but a correct handling and an appropriate maintenance are mandatory to keep the power supply working perfectly.

Mounting

The UPS must be mounted firmly and securely.



LED description

- Green  DC OUTPUT ON/OFF
- Amber  BATTERY CHARGING
- Red  AC INPUT ON/OFF

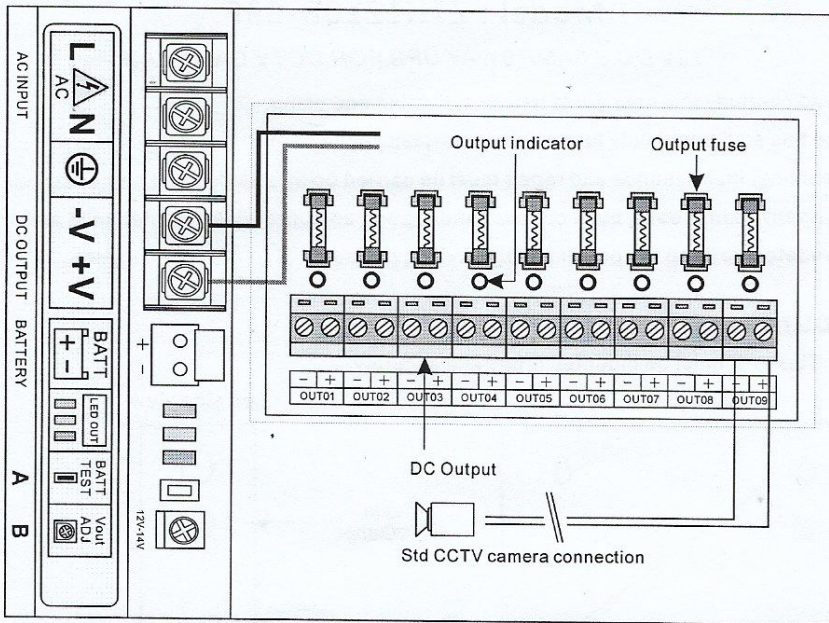
Situation	GREEN	AMBER	RED
Battery in charging	on	flash	on
Battery in full charged	on	off	on
No AC, with battery	on	off	off
No AC, no battery	off	off	off

Main specification

AC supply: 110/220V AC 50/60Hz
Output voltage: 12.0V-14.0V DC adjustable
Max. Output current: 8.5Amp
Max. Charge current: 0.8Amp

Output fuse: 1.5A 250V
Operation temperature: -20~+60 Degree Celsius
Humidity: Up to 80% non-Condensing

Terminal description



A: BATTERY ACTIVATION SWITCH

**Before connecting to AC power for the first time, this switch can be used for activating battery; After connecting to AC power, battery will be activated automatically in each AC power failure, without pushing this switch.*

B: ADJUSTABLE OUTPUT VOLTAGE

**Based on the premise that the load can work normally, output voltage regulation is suggested between 13.8V to 14.0V. Battery can be fully charge and prolong the service life under this situation.*

Protection

- Over-voltage protection
- Over-current protection
- Short circuit protection
- Over charge protection
- Over discharge protection
- Self-recovery when fault condition remove

Caution

- Make sure the power supply input voltage and the local grid voltage matching before using.
- The UPS is to be installed in a controlled environment, make sure the power supply is well ventilated.
- It is mandatory to ground the power supply.
- Improper storage and installation environment may deteriorate insulation, shorten components life and cause malfunctions.



All content, specifications and availability subject to change without prior notice.