

Tubular ring cable lugs, KOR type

FEATURES & BENEFITS

- ring cable lug Cu, standard, with galvanic tin plating
- description of cable cross-section and cable lug size on palm surface
- for voltage below 1 kV acc. to EN IEC 61238-1-1:2019
for the voltage range 1-36 kV acc. to EN IEC 61238-1-3:2019
- positive result of tests for compliance with the standard for round Cu conductors of Class 2

MECHANICAL DATA

Material	Cu
Surface	tin-plated

CERTIFICATES & STANDARDS

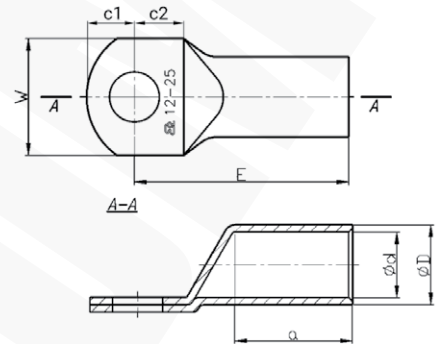
Standards	EN IEC 61238-1-1:2019 EN IEC 61238-1-3:2019 - mechanical strength Class 1 - short-circuit resistance Class A for range of rated cross-section 25-240mm ²
UL certificate	E475284 (according to table in the technical data sheet)
Design	standard
Type Approval Certificate PRS	TE/1137/880567/25

NOTE!

Sector-shaped conductors (sm) must be rounded with special dies.

For crimping cable lugs on cables of 5 class conductors (from cross-section of 10 mm²), we recommend crimping in a "hexagon with fangs" using KP22-FL type dies.

UL certificate - visit www.ergom.com



Type	Index Ergom	Cross-section, rm/sm [mm ²]	d	D	a	c1	c2	E	W	Screw hole	UL	Socket code no. - 2 class	Socket code - class 5	Lz/s	Lz/w	Quantity in package [pcs]	Weight [kg]
KOR 0,75/3 (100 PCS)	E11KM-01020100150	0,75	1,3	2,8	5,8	3,25	3,8	12,0	6,0	M3	√	-	-	-	1	100	0,06
KOR 0,75/4 (100 PCS)	E11KM-01020100250					4,0	4,8	13,0	6,5	M4							
KOR 0,75/5 (100 PCS)	E11KM-01020100350					4,75	5,3	14,0	7,5	M5							
KOR 1,5/3 (100 PCS)	E11KM-01020100450	1,5	1,8	3,3	5,8	3,25	3,8	12,0	6,5	M3	√	-	-	-	1	100	0,08
KOR 1,5/4 (100 PCS)	E11KM-01020100560					4,0	4,8	13,0	6,5	M4							
KOR 1,5/5 (100 PCS)	E11KM-01020100660					4,75	5,3	14,0	7,5	M5							
KOR 1,5/6 (100 PCS)	E11KM-01020100760	2,5	2,3	4,2	5,8	6,5	6,3	16,0	9,0	M6	√	-	-	-	1	100	0,1
KOR 2,5/3 (100 PCS)	E11KM-01020100850					3,25	3,8	12,0	7,5	M3							
KOR 2,5/4 (100 PCS)	E11KM-01020100950					4,0	4,8	13,0	7,5	M4							
KOR 2,5/5 (100 PCS)	E11KM-01020101050	2,5	2,3	4,2	5,8	4,75	5,3	14,0	8,5	M5	√	-	-	-	1	100	0,13
KOR 2,5/6 (100 PCS)	E11KM-01020101150					6,5	6,3	16,0	9,5	M6							
KOR 2,5/8 (100 PCS)	E11KM-01020101220					7,75	9,3	20,0	13,0	M8							
KOR 4/4 (100 PCS)	E11KM-01020101360	4	3,0	5,0	7,8	4,75	5,3	18,0	8,5	M4	√	-	-	-	1	100	0,22
KOR 4/5 (100 PCS)	E11KM-01020101450					6,5	6,3	19,0	10,0	M6							
KOR 4/6 (100 PCS)	E11KM-01020101550					8,5	9,3	22,0	13,0	M8							
KOR 4/8 (100 PCS)	E11KM-01020101650					8,5	9,3	22,0	13,0	M8							

Type	Index Ergom	Cross-section, rm/sm [mm ²]	d	D	a	c1	c2	E	W	Screw hole	UL	Socket code no. - 2 class	Socket code - class 5	Lz/s	Lz/w	Quantity in package [pcs]	Weight [kg]									
KOR 6/4 (100 PCS)	E11KM-01020101760	6	4,0	6,0	8,7	5,0	5,3	18,0	9,5	M4	√	4	-	1	1	100	0,3									
KOR 6/5 (100 PCS)	E11KM-01020101850					6,0	5,8	19,0		M5							0,31									
KOR 6/6 (100 PCS)	E11KM-01020101960					7,0	6,3		10,0	M6							0,35									
KOR 6/8 (100 PCS)	E11KM-01020102060					8,5	9,3	22,0	14,0	M8							0,37									
KOR 6/10 (100 PCS)	E11KM-01020102160					11,0	11,8	25,0	16,0	M10							0,4									
KOR 6/12 (100 PCS)	E11KM-01020102250					12,0	12,8		19,0	M12																
KOR 10/5 (100 PCS)	E11KM-01020102300	10	4,5	7,0	10	7,0	7,5	21,0	12,0	M5	√	7	FL10	1	1	100	0,53									
KOR 10/5 (10 PCS)	E11KM-01020102302						10	0,06																		
KOR 10/6 (100 PCS)	E11KM-01020102400					100	0,52																			
KOR 10/6 (10 PCS)	E11KM-01020102402					10	0,06																			
KOR 10/8 (100 PCS)	E11KM-01020102500					100	0,6																			
KOR 10/8 (10 PCS)	E11KM-01020102502					10	0,06																			
KOR 10/10 (100 PCS)	E11KM-01020102600					100	0,65																			
KOR 10/10 (10 PCS)	E11KM-01020102602					10	0,07																			
KOR 10/12 (100 PCS)	E11KM-01020102700					100	0,64																			
KOR 10/12 (10 PCS)	E11KM-01020102702					10	0,07																			
KOR 16/5 (100 PCS)	E11KM-01020102800					16	5,5	8,5	13	7,0						7,5	25,0	12,0	M5	√	8	FL16	1	2	100	0,91
KOR 16/5 (10 PCS)	E11KM-01020102802															10	0,1									
KOR 16/6 (100 PCS)	E11KM-01020102900	100	0,9																							
KOR 16/6 (10 PCS)	E11KM-01020102902	10	0,1																							
KOR 16/8 (100 PCS)	E11KM-01020103000	100	0,97																							
KOR 16/8 (10 PCS)	E11KM-01020103002	10	0,1																							
KOR 16/10 (100 PCS)	E11KM-01020103100	100	1																							
KOR 16/10 (10 PCS)	E11KM-01020103102	10	0,1																							
KOR 16/12 (100 PCS)	E11KM-01020103250	100	1,1																							
KOR 16/12 (10 PCS)	E11KM-01020103252	10	0,2																							
KOR 25/5 (100 PCS)	E11KM-01020103300	25	7,0	10,0	15					7,0	7,5	28,0	14,0	M5	√	10	FL25	1	2						100	1,18
KOR 25/5 (10 PCS)	E11KM-01020103302										10	0,2														
KOR 25/6 (100 PCS)	E11KM-01020103400					100	1,22																			
KOR 25/6 (10 PCS)	E11KM-01020103402					10	0,2																			
KOR 25/8 (100 PCS)	E11KM-01020103500					100	1,25																			
KOR 25/8 (10 PCS)	E11KM-01020103502					10	0,2																			
KOR 25/10 (100 PCS)	E11KM-01020103600					100	1,3																			
KOR 25/10 (10 PCS)	E11KM-01020103602					10	0,2																			
KOR 25/12 (100 PCS)	E11KM-01020103700					100	1,3																			
KOR 25/12 (10 PCS)	E11KM-01020103702					10	0,2																			
KOR 25/14 (100 PCS)	E11KM-01020103800					100	1,45																			
KOR 25/14 (10 PCS)	E11KM-01020103802					10	0,2																			
KOR 35/5 (100 PCS)	E11KM-01020103880	35	8,5	12,0	17	7,5	8,0	31,5	18,0	M5	√	12	FL35	1	2	100	1,6									
KOR 35/5 (10 PCS)	E11KM-01020103882							10		0,2																
KOR 35/6 (100 PCS)	E11KM-01020103900					100	1,8																			
KOR 35/6 (10 PCS)	E11KM-01020103902					10	0,2																			
KOR 35/8 (100 PCS)	E11KM-01020104000					100	1,94																			
KOR 35/8 (10 PCS)	E11KM-01020104002					10	0,2																			
KOR 35/10 (100 PCS)	E11KM-01020104100					100	2,1																			
KOR 35/10 (10 PCS)	E11KM-01020104102					10	0,3																			
KOR 35/12 (100 PCS)	E11KM-01020104200					100	2,05																			
KOR 35/12 (10 PCS)	E11KM-01020104202					10	0,3																			
KOR 35/14 (100 PCS)	E11KM-01020104300					100	2,2																			
KOR 35/14 (10 PCS)	E11KM-01020104302					10	0,3																			
KOR 35/16 (100 PCS)	E11KM-01020104400	100	2,3																							
KOR 35/16 (10 PCS)	E11KM-01020104402	10	0,3																							

Type	Index Ergom	Cross-section, mm ² [mm ²]	d	D	a	c1	c2	E	W	Screw hole	UL	Socket code no. - 2 class	Socket code - class 5	Lz/s	Lz/w	Quantity in package [pcs]	Weight [kg]									
KOR 50/6 (100 PCS)	E11KM-01020104500	50	10,0	14,0	19	7,0	8,0	34,5		M6	√	14	FL50	1	2	100	2,58									
KOR 50/6 (10 PCS)	E11KM-01020104502									10						0,3										
KOR 50/8 (100 PCS)	E11KM-01020104600									100						2,8										
KOR 50/8 (10 PCS)	E11KM-01020104602					10	0,3																			
KOR 50/10 (100 PCS)	E11KM-01020104700					100	3,05																			
KOR 50/10 (10 PCS)	E11KM-01020104702					10	0,3																			
KOR 50/12 (100 PCS)	E11KM-01020104800					100	2,95																			
KOR 50/12 (10 PCS)	E11KM-01020104802					10	0,3																			
KOR 50/14 (100 PCS)	E11KM-01020104900					100	3,2																			
KOR 50/14 (10 PCS)	E11KM-01020104902					10	0,4																			
KOR 50/16 (100 PCS)	E11KM-01020105000					100	3,3																			
KOR 50/16 (10 PCS)	E11KM-01020105002					10	0,4																			
KOR 50/20 (100 PCS)	E11KM-01020105100					100	3,6																			
KOR 50/20 (10 PCS)	E11KM-01020105102					10	0,4																			
KOR 70/6 (100 PCS)	E11KM-01020105200					70	12,0	16,5	21	9,0						10,0	40,5		M6	√	16	FL70	1	2	100	4,25
KOR 70/6 (10 PCS)	E11KM-01020105202																		10						0,5	
KOR 70/8 (100 PCS)	E11KM-01020105300	100	4,2																							
KOR 70/8 (10 PCS)	E11KM-01020105302	10	0,5																							
KOR 70/10 (100 PCS)	E11KM-01020105400	100	4,6																							
KOR 70/10 (10 PCS)	E11KM-01020105402	10	0,5																							
KOR 70/12 (100 PCS)	E11KM-01020105500	100	4,4																							
KOR 70/12 (10 PCS)	E11KM-01020105502	10	0,5																							
KOR 70/14 (100 PCS)	E11KM-01020105600	100	4,9																							
KOR 70/14 (10 PCS)	E11KM-01020105602	10	0,5																							
KOR 70/16 (100 PCS)	E11KM-01020105700	100	4,7																							
KOR 70/16 (10 PCS)	E11KM-01020105702	10	0,5																							
KOR 70/20 (100 PCS)	E11KM-01020105800	100	5																							
KOR 70/20 (10 PCS)	E11KM-01020105802	10	0,5																							
KOR 95/8 (50 PCS)	E11KM-01020105900	95	13,5	18,0	24					12,0	13,0	47,0		M8	√	17	FL95	1	2						50	2,8
KOR 95/8 (10 PCS)	E11KM-01020105902													10											0,6	
KOR 95/10 (50 PCS)	E11KM-01020106000					50	2,72																			
KOR 95/10 (10 PCS)	E11KM-01020106002					10	0,6																			
KOR 95/12 (50 PCS)	E11KM-01020106100					50	2,65																			
KOR 95/12 (10 PCS)	E11KM-01020106102					10	0,6																			
KOR 95/14 (50 PCS)	E11KM-01020106200					50	2,85																			
KOR 95/14 (10 PCS)	E11KM-01020106202					10	0,6																			
KOR 95/16 (50 PCS)	E11KM-01020106300					50	2,85																			
KOR 95/16 (10 PCS)	E11KM-01020106302					10	0,6																			
KOR 95/20 (50 PCS)	E11KM-01020106400					50	3,1																			
KOR 95/20 (10 PCS)	E11KM-01020106402					10	0,7																			
KOR 120/8 (50 PCS)	E11KM-01020106500					120	15,0	19,5	26	12,0	13,0	50,0		M8						√	19	FL120	1	2	50	3,3
KOR 120/8 (10 PCS)	E11KM-01020106502													10											0,7	
KOR 120/10 (50 PCS)	E11KM-01020106600													50											3,15	
KOR 120/10 (10 PCS)	E11KM-01020106602									10	0,7															
KOR 120/12 (50 PCS)	E11KM-01020106700	50	3,17																							
KOR 120/12 (10 PCS)	E11KM-01020106702	10	0,7																							
KOR 120/14 (50 PCS)	E11KM-01020106800	50	3,4																							
KOR 120/14 (10 PCS)	E11KM-01020106802	10	0,7																							
KOR 120/16 (50 PCS)	E11KM-01020106900	50	3,4																							
KOR 120/16 (10 PCS)	E11KM-01020106902	10	0,7																							
KOR 120/20 (50 PCS)	E11KM-01020107000	50	3,5																							
KOR 120/20 (10 PCS)	E11KM-01020107002	10	0,8																							

Type	Index Ergom	Cross-section, mm ²	d	D	a	c1	c2	E	W	Screw hole	UL	Socket code no. - 2 class	Socket code - class 5	Lz/s	Lz/w	Quantity in package [pcs]	Weight [kg]													
KOR 150/8 (50 PCS)	E11KM-01020107100	150	16,5	21,0	29	12,0	13,0	54,0	31,0	M8	√	20	FL150	2	3	50	3,78													
KOR 150/8 (10 PCS)	E11KM-01020107102									10						0,8														
KOR 150/10 (50 PCS)	E11KM-01020107200									50						3,73														
KOR 150/10 (10 PCS)	E11KM-01020107202									10						0,8														
KOR 150/12 (50 PCS)	E11KM-01020107300									50						3,55														
KOR 150/12 (10 PCS)	E11KM-01020107302									10						0,8														
KOR 150/14 (50 PCS)	E11KM-01020107400									50						3,9														
KOR 150/14 (10 PCS)	E11KM-01020107402									10						0,8														
KOR 150/16 (50 PCS)	E11KM-01020107500									50						3,8														
KOR 150/16 (10 PCS)	E11KM-01020107502									10						0,8														
KOR 150/20 (50 PCS)	E11KM-01020107600									50						4,2														
KOR 150/20 (10 PCS)	E11KM-01020107602									10						0,9														
KOR 185/10 (50 PCS)	E11KM-01020107700									185						19,0	24,0	30	12,0	13,0	56,5	35,0	M10	√	23	FL185	2	3	50	4,92
KOR 185/10 (10 PCS)	E11KM-01020107702																						10						1	
KOR 185/12 (50 PCS)	E11KM-01020107800	50	4,82																											
KOR 185/12 (10 PCS)	E11KM-01020107802	10	1																											
KOR 185/14 (50 PCS)	E11KM-01020107900	50	5,35																											
KOR 185/14 (10 PCS)	E11KM-01020107902	10	1,1																											
KOR 185/16 (50 PCS)	E11KM-01020108000	50	5,11																											
KOR 185/16 (10 PCS)	E11KM-01020108002	10	1,1																											
KOR 185/20 (50 PCS)	E11KM-01020108100	50	5,5																											
KOR 185/20 (10 PCS)	E11KM-01020108102	10	1,2																											
KOR 240/10 (50 PCS)	E11KM-01020108200	240	21,0	26,0	38	20,0	20,6	73,5	38,0	M10	√	25	FL240	2	4	50	7,3													
KOR 240/10 (10 PCS)	E11KM-01020108202									10						1,5														
KOR 240/12 (50 PCS)	E11KM-01020108300									50						7,3														
KOR 240/12 (10 PCS)	E11KM-01020108302									10						1,5														
KOR 240/14 (50 PCS)	E11KM-01020108400									50						7,2														
KOR 240/14 (10 PCS)	E11KM-01020108402									10						1,5														
KOR 240/16 (50 PCS)	E11KM-01020108500									50						7,1														
KOR 240/16 (10 PCS)	E11KM-01020108502									10						1,5														
KOR 240/20 (50 PCS)	E11KM-01020108600									50						7														
KOR 240/20 (10 PCS)	E11KM-01020108602									10						1,5														
KOR 300/10 (25 PCS)	E11KM-01020108700	300	24,0	30,0	45	20,0	20,6	82,5	43,0	M10	-	28	FL300	2	5	25	5,7													
KOR 300/10 (10 PCS)	E11KM-01020108702									10						2,3														
KOR 300/12 (25 PCS)	E11KM-01020108800									25						5,5														
KOR 300/12 (10 PCS)	E11KM-01020108802									10						2,3														
KOR 300/14 (25 PCS)	E11KM-01020108900									25						5,55														
KOR 300/14 (10 PCS)	E11KM-01020108902									10						2,3														
KOR 300/16 (25 PCS)	E11KM-01020109000									25						5,5														
KOR 300/16 (10 PCS)	E11KM-01020109002									10						2,3														
KOR 300/20 (25 PCS)	E11KM-01020109100									25						5,2														
KOR 300/20 (10 PCS)	E11KM-01020109102									10						2,1														
KOR 400/12	E11KM-01020109202	400	27,5	33,5	50	20,0	20,6	90,0	49,0	M12	-	32	-	2	-	1	0,3													
KOR 400/16	E11KM-01020109402									M16																				
KOR 400/20	E11KM-01020109502									M20																				
KOR 500/12	E11KM-01020109602	500	31,0	38,0	70	20,0	20,6	112,5	55,0	M12	-	36	-	3	-	1	0,5													
KOR 500/14	E11KM-01020109702									M14																				
KOR 500/16	E11KM-01020109802									M16																				
KOR 500/20	E11KM-01020109902									M20																				
KOR 625/12	E11KM-01020110002	625	34,0	40,0	70	20,0	20,6	114,0	60	M12	-	42	-	3	-	1	0,5													
KOR 625/16	E11KM-01020110202									M16																				
KOR 625/20	E11KM-01020110302									M20																				

Lz/s - Number of crimping - wide, Lz/w - Number of crimping - narrow