



AS14F-LS 1Z



AS14F-LS 2Z

Features

- ◆ fast response
- ◆ slim size
- ◆ with LED indicator,
- ◆ with lockable test button and inspection window
- ◆ Rated Load. 1Z 12A,2Z 8A

Ordering Information

AS14F□-□ □ □ □ □

Mount Type _____
N/A: plug in

Options _____
L:LED D: diode
S:lockable button

Contact Form _____
1Z(Z:C H:A D:B)
2Z(Z:C H:A D:B)

Voltage Type _____
D:DC A:AC

Coil Voltage _____
see coil data

Contact Material _____
1:AgSnO₂ 2:AgNi



Specifications

Contact	Contact Form	1Z	2Z
	Rated Load	12A 250VAC/30VDC	8A 250VAC/30VDC
	Electrical/Mechanical Life	≥100000times/1000000times	
	Initial Contact Resistance	≤100mΩ (1A 6VDC)	
	Contact Material	AgSnO ₂ AgNi	
Characteristics	Insulation Resistance	≥500MΩ (500VDC)	
	Dielectric Strength	Between open contacts≥1000VAC/1min	
		Between poles≥1500VAC/1min	
		Between contact and coil≥4000VAC/1min	
Operate/Release Time	≤15ms/15ms		
Terminal Type	插入式		
Coil	Operating PowerDC/AC	0.53W/0.9VA	

DC Coil Data

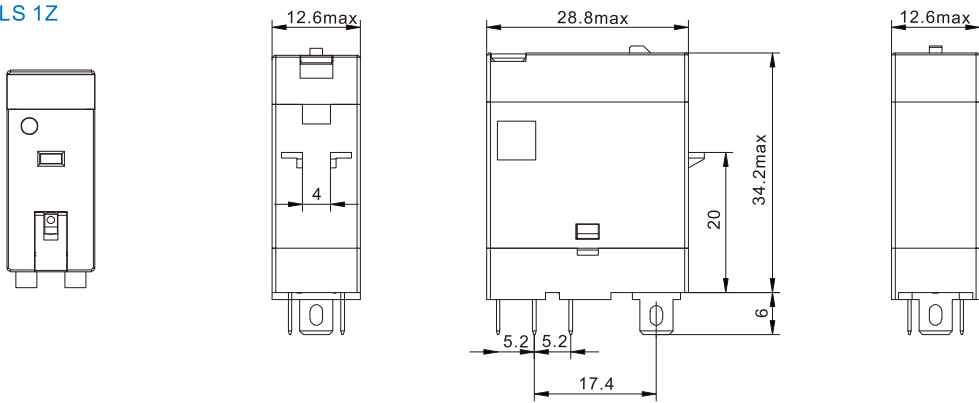
Rated Voltage VDC	Pickup Voltage VDC	Dropout Voltage VDC	Coil Resistance Ω±10%
3	2.25	0.3	17
5	3.75	0.5	47
6	4.5	0.6	68
9	6.75	0.9	150
12	9.0	1.2	270
18	13.5	1.8	610
24	18.0	2.4	1100
48	36.0	4.8	4220
110	82.5	11	22800

AC Coil Data

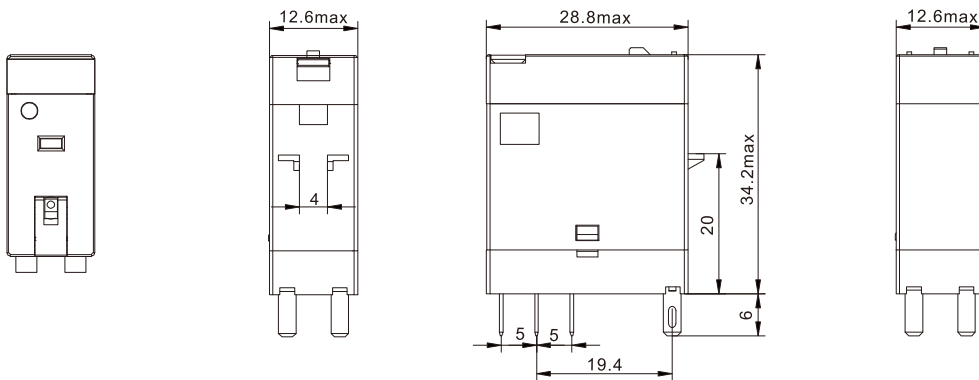
Rated Voltage VAC	Pickup Voltage VAC	Dropout Voltage VAC	Coil Resistance Ω±10%
6	4.8	1.8	16
12	9.6	3.6	65
24	19.2	4.2	240
48	38.4	14.4	1080
115	88	33.0	6300
230	184	69.0	23000

Dimensions (mm)

AS14F-LS 1Z

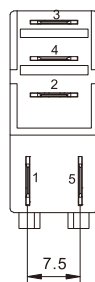


AS14F-LS 2Z

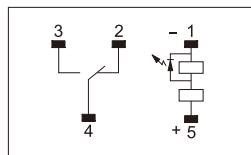


Wiring Diagrams

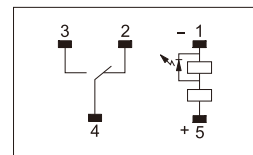
AS14F-LS 1Z



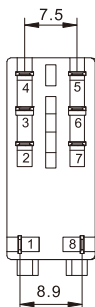
DC



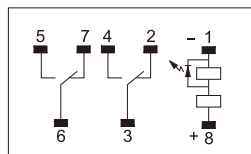
DC



AS14F-LS 2Z



AC



AC

