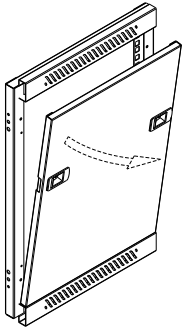
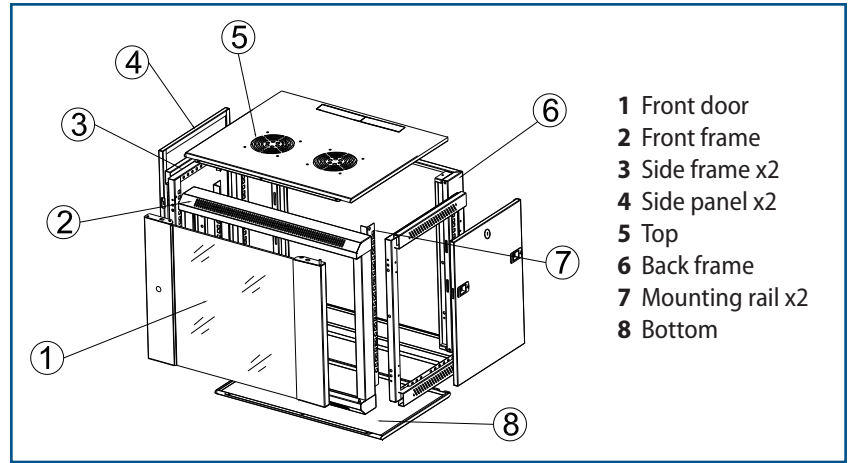
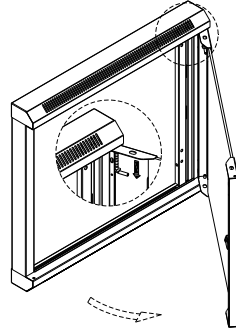


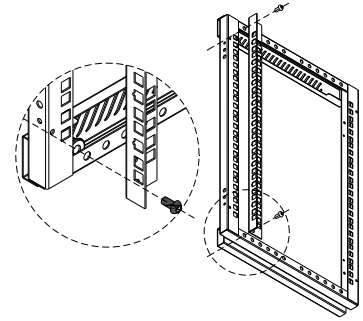
19" FLAT PACK RACK CABINET ASSEMBLY INSTRUCTIONS



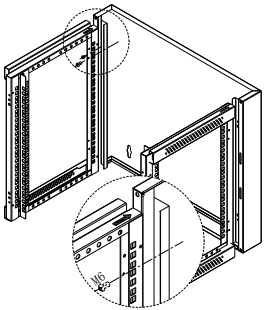
1 Remove the side panels (4) from the side frames (3) and set them aside.



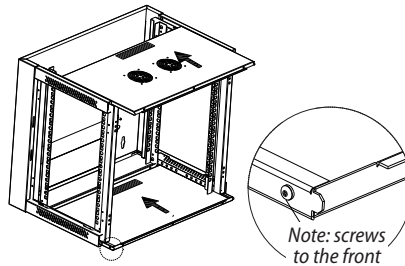
2 Use the included key to pull open the door (1) and remove it from the front frame (2) by pushing down on the latch.



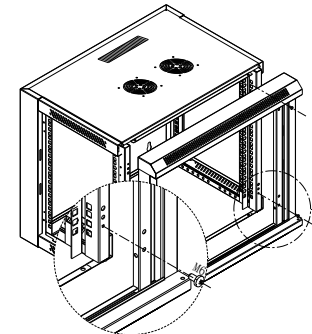
3 Use the 4 included M5 screws to attach a mounting rail (7) to each side frame (3).



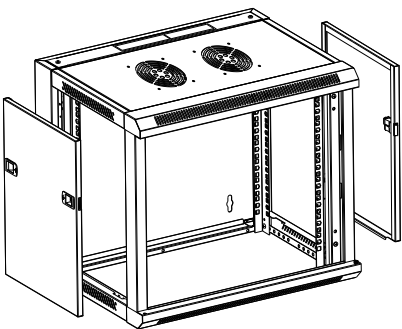
4 Use 4 of the included M6 screws (use 6 for larger units) to attach each of the 2 side frames (3) to the back frame (6).



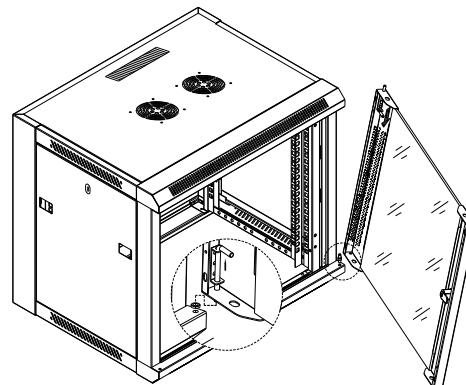
5 Slide the top (5) and the bottom (8) into place.



6 Use 4 of the included M6 screws (use 6 for larger units) to attach the front frame (2) to the assembly.



7 Install the 2 side panels (4).



8 Reverse Step 2 by inserting the lower door latch into the frame and then pushing down on the upper door latch to install the front door (1). Note: Once the unit is assembled, check that all corners are square to ensure that the door opens and closes properly.

North & South America
IC Intracom Americas
550 Commerce Blvd.
Oldsmar, FL 34677
USA

Asia & Africa
IC Intracom Asia
4-F, No. 77, Sec. 1, Xintai 5th Rd.
Xizhi Dist., New Taipei City 221
Taiwan

Europe
IC Intracom Europe
Löhbacher Str. 7
D-58553 Halver
Germany

